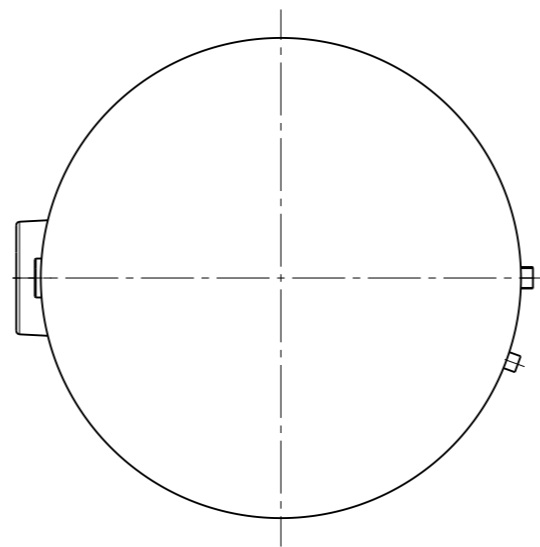


Legende / legend

- | | | |
|----|--|---------------------|
| 1 | Warmwasser / hot water | G1" |
| 2 | Vorlauf Nachheizung / flow reheating | G1" |
| 3 | Zirkulation / circulation | G $\frac{3}{4}$ " |
| 4 | Rücklauf Nachheizung / return reheating | G1" |
| 5 | Vorlauf Solarkreis / flow solar circuit | G1" |
| 6 | Muffe für Thermostat / sleeve for thermostat | |
| 7 | Kaltwasser / cold water | G1" |
| 8 | Thermometer / thermometer | |
| 9 | Anschluss für Einschraub-Elektroheizeinsatz / sleeve for electric screw-in boiler nozzle | Rp1 $\frac{1}{2}$ " |
| 10 | Handloch-Flansch / hand hole flange | |



1:10

Hoval MultiVal ERR (500)
4214938 Version 01
Stand: 03.04.2018