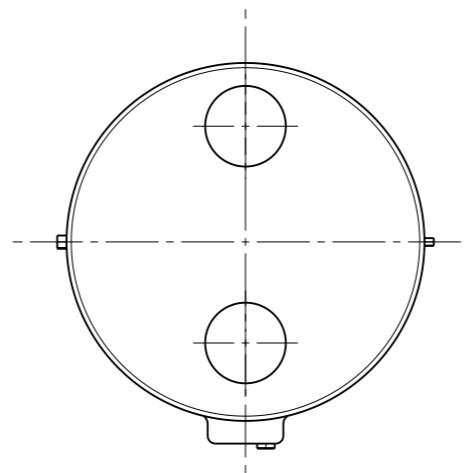


**Legende**

- 1 Tauchrohr für Fühler/ Immersion tube for sensor
- 2 Tauchrohr für Betriebsfühler/ Immersion tube for operating sensor
- 3 Warmwasseraustritt/ Hot water outlet
- 4 Zirkulation/ Circulation
- 5 Kaltwassereintritt/ Cold water inlet
- 6 Austritt Heizschlange (nur WPER)/ Outlet heating coil (only WPER)
- 7 Eintritt Heizschlange (nur WPER)/ Inlet heating coil (only WPER)
- 8 Luftaustritt/ Air outlet
- 9 Lufteintritt/ Air inlet

- ø15
- ø15
- R 1"
- R 3/4"
- R 1"
- R 1"
- R 1"
- ø160
- ø160



**1:15**

HoVal CombiVal WPE/WPER/WPEF (300)  
 4215952 Version 00  
 Stand: 23.04.2018